

# Level Switches

## LS 600

The LS 600 series liquid level float switches provide the highest degree of dependable accuracy for sensing and controlling liquid levels. They may be used with audible alarm consoles such as the Pneumercator LC 1000 or customers' own to actuate high and/or low level warning devices. The LS 600 is available with intermediate switches for control of pumps to maintain liquid levels within a predetermined range.

The LS 600 series is simple in design and operation. A magnet within each float actuates a hermetically sealed dry-reed switch. The encapsulated switches are sealed inside the sensing probe and completely protected from exposure to liquid or vapor. Float travel is restricted via the use of stops placed immediately above and below the customer specified switch operating points.

### FEATURES

- One to four magnetic switch floats.
- Available in brass or stainless steel configuration.
- Each switch may be operated in either normally open (NO) or normally closed (NC) contact states.
- FM and UL approved intrinsically safe. UL approved general purpose.
- Easy installation.
- Virtually maintenance free.
- Repeatability of 1/8-inch.



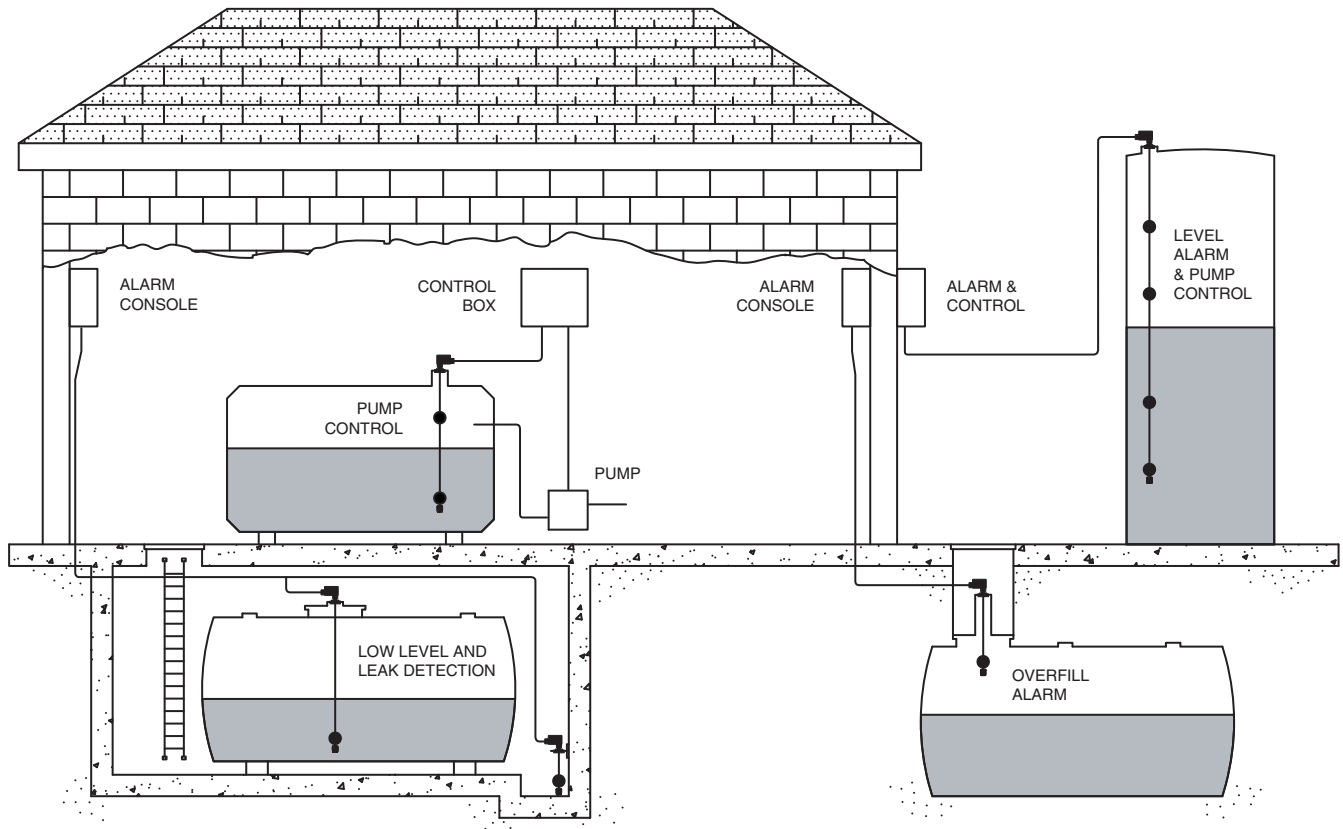
**NYC-BSA**  
APPROVED

**PNEUMERCATOR**  
Liquid Level Control Systems

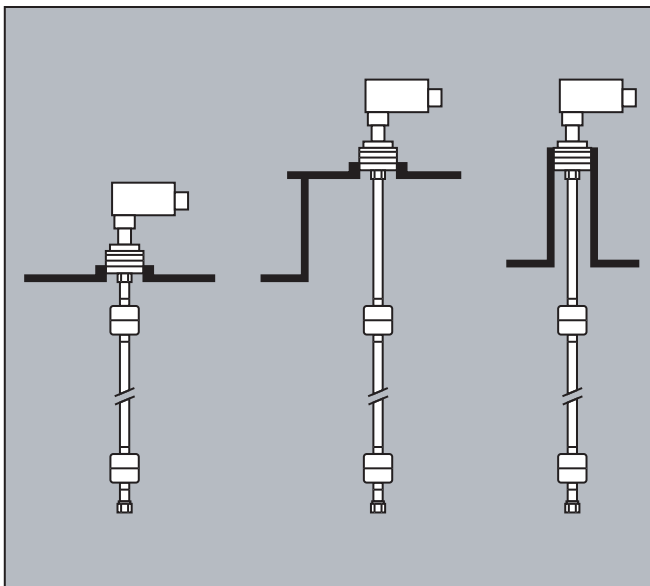


# Applications

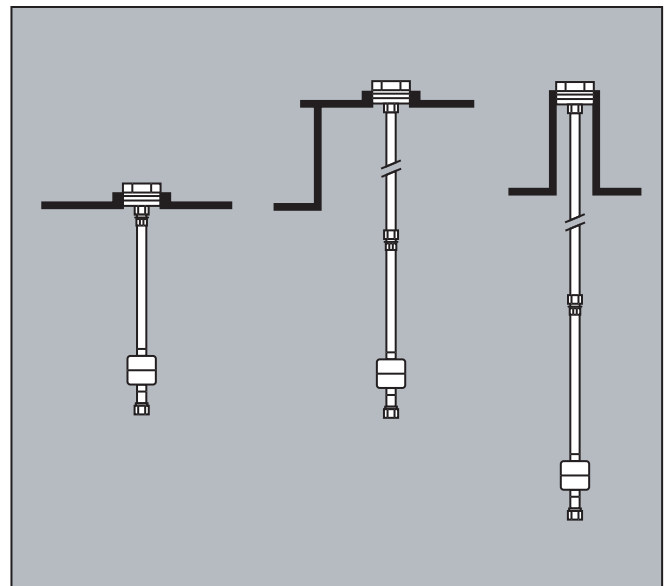
· Level Alarms · Overfill Alarms · Pump Control · Leak Detection



...Above or below ground...Indoor or outdoor...



LS 600 Series  
Up to four actuation points.



LS 600A Series  
Single switch with fixed 8" actuation point

...Tank, manway or riser pipe mount.

# Ordering Specifications

LS 600 series float switches are available in three different configurations: LS 600A, LS 600 and custom. When ordering, please fill in the information below and at right for the desired configuration.

1. For percent capacity settings, please state:

Tank capacity ▼

Tank manufacturer ▼

Type of ends ▼

Type of mounting ▼

TANK  RISER  MANWAY

2. A minimum distance of 3" between switches is required.

3. Before ordering, ascertain the compatibility of the material selected with the tank contents.

4. Unless specified:

- Overfill and high levels are set normally open to close on the rise of liquid level.
- Low levels are set normally closed to open on the rise of liquid level.
- Pump controls are set normally closed to open on the rise of liquid level.



LS 600A

Check One:

- brass stem, 1 .5" s/s float
- s/s stem, 1 .5" s/s float
- brass stem, 1.4" buna n float

**8" Actuation Point**

Percent volume settings may be fixed at the time of installation.



LS 600

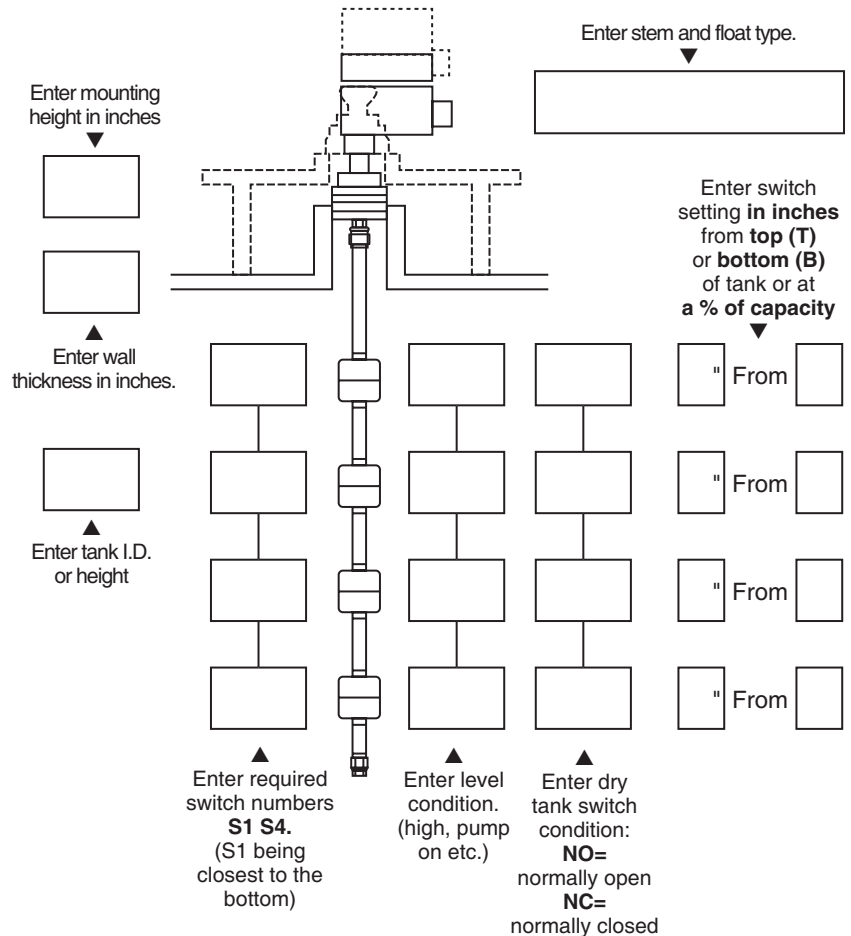
Check One:

- brass stem, 1.5" s/s float
- s/s stem, 1.5" s/s float
- brass stem, 1.4" buna n float

Check Actuation Point:

- 6"  8"  12"
- Custom (see below)

## LS 600 CUSTOM CONFIGURATION



# LS 600 Level Switches

## SPECIFICATIONS

### Normally Wetted Materials

#### Shaft

Brass .50" dia. (max. length 12 feet.)  
Stainless steel .50" dia. (max. length 14 feet.)

#### Float

1.62" dia. stainless steel or 1.4" dia. Buna-N

#### Retainer Clips

Stainless steel.

#### Bushing

2" or 1 1/2" NPT Cast iron standard

#### Wiring

2 conductor--18 AWG each switch.  
10 feet long for models LS 600A.

#### Float Switch

Dry reed type hermetically sealed within probe.  
SPST rated 100W resistive load, 400V max.  
at 3 amp.

#### Temperature

-4 °F to 176 °F (-20 °C to 80 °C).  
-40 °F to 176 °F (-40 °C to 80 °C) option available

#### Pressure

Full vacuum to 150 PSIG.

#### Repeatability

1/8" inch typical per point.

#### Housing

(Model LS 600) Die cast aluminum, NEMA 4 rated,  
1/2 NPT conduit fitting.

#### Approvals:

##### UL

UL913 Entity  
Approved intrinsically safe for Class I, Groups  
C & D hazardous locations when installed in  
accordance with wiring diagram 50187. Ref.  
E139464.

UL508 General Purpose Use  
Rated 0.5A @ 120VAC, inductive.  
Rated 0.25A @ 240VAC, inductive.

##### FM

Approved intrinsically safe with entity for  
Class I, II, III, Division 1, Groups A,B,C,  
D,E,F, & G under file No. 1 Q3A4.AX\*.

##### NYC BSA

Approved under calendar number 630 71 SM.\*  
\*When used in combination with a  
Pneumercator LC1000 series alarm console.

*specifications subject to change without notice*



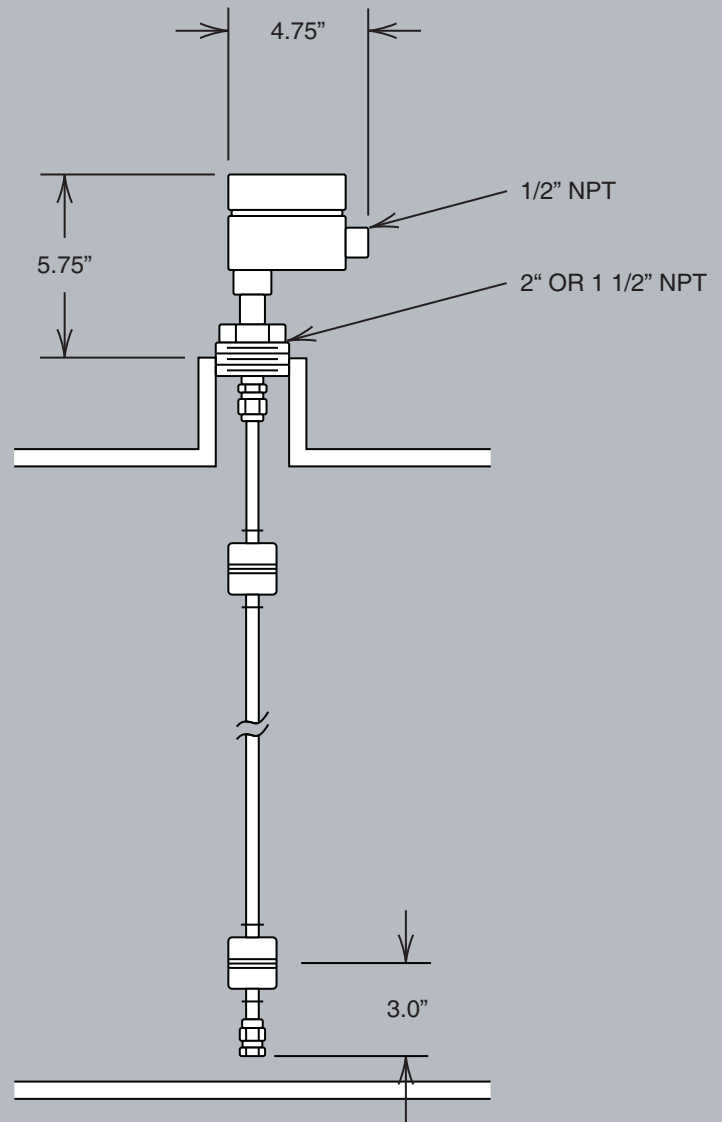
PNEUMERCATOR COMPANY, INC.

1785 Expressway Drive North, Hauppauge, NY 11788

(631) 293-8450 • FAX (631) 293-8533

<http://www.pneumercator.com>

## DIMENSIONS



## MANUAL TEST OPTION

A special adaptation of the LS 600 level switch with 2" NPT bushing provides for 100% system performance test. The upper float is equipped with a mechanical lifting lever for manually raising the float through its switching position while still installed in the tank. Consult the factory for details.

## Distributed by:

