



Hose Reels

A Complete Family of High Quality Reels



PROVEN QUALITY. LEADING TECHNOLOGY.

What Makes a Good Hose Reel?

Durability, performance and value built into every one of our new hose reels.

A robust frame, hose length and size are important, but the spring, latch and swivel are really the core of a hose reel. Our new spring design makes it easy to pull down—especially those last 10 feet, and a spring latch that retracts the hose so you don't have to fight to get it to operate. Plus, a durable full-flow swivel to maximize material flow with minimal pressure drop. See for yourself why Graco hose reels out-perform the competition.



Single or Dual Pedestal Options

Heavy-duty, high-strength steel construction with rolled edges and ribbed stress points for more strength than ever before

Improved High-Demand Spring

Long-life spring extends and retracts with constant force to reduce user fatigue

Full-Flow Swivel

Maximize material flow with minimal pressure drop

Spring Adjustment

Increase or decrease spring tension while reel is pressurized with fluid (LD Enclosed and XD models)

Larger Hose Capacity with Smaller Profile

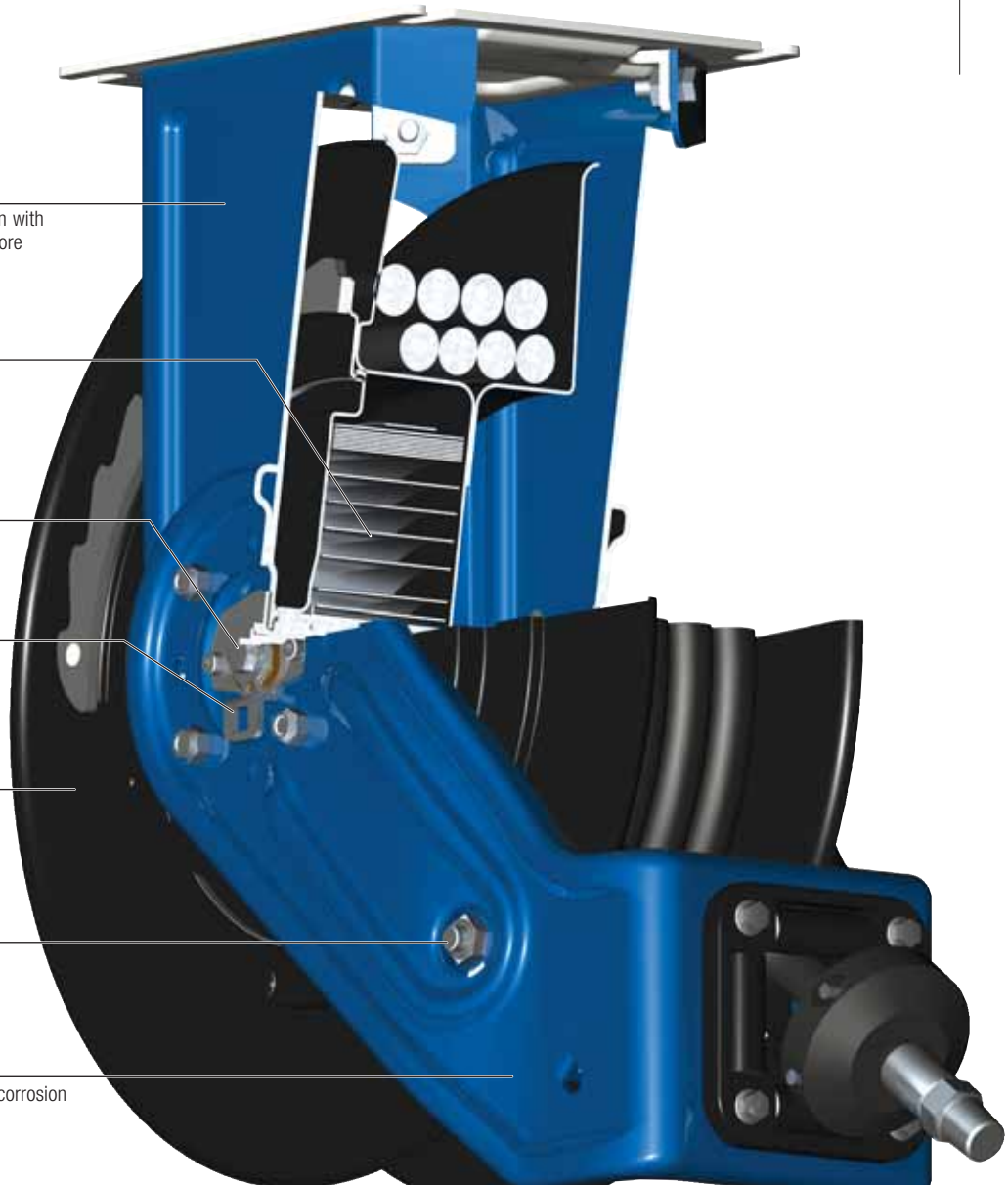
Compact pedestal and spool fits into tight spaces and can accommodate 35-65 foot (10-20 meters) hose capacity for a wide variety of applications

Improved Latch Design

No more frustrating lock-out at full hose extension

Durable Finish in More Colors

Baked-on enamel finish protects reel from corrosion for longer life—now available in six colors



XD model shown

Standard color: metallic blue.

Additional five colors available. Consult factory for lead times.



Three New Families of Hose Reels

LD Series



Entry level enclosed hose reels designed for light-duty applications

- Easy, Quick Installation
- Flexible Mounting Options
- Indoor Use

Markets

- Small Maintenance Shops
- Tire/Muffler Shops
- Small Fast Lubes
- Independent Repair Facilities
- Industrial Manufacturing Facilities

Frequency of use

Frame Strength

SD Series



Professional level hose reels designed for frequent, everyday use in a wide variety of applications

- Single Pedestal Frame
- Metal or Composite Spool
- Indoor and Moderate Outdoor Use
- Enclosure Available
- Compact Design Fits in Small Spaces
- Non-Sparking Ratchet

Markets

- Car Dealerships
- Light/Medium-Duty Truck Dealers
- Fleet Maintenance
- Mining Maintenance
- Public Works Garages
- Construction Vehicle Maintenance
- Light-Utility Service Trucks

Frequency of use

Frame Strength

XD Series



High performance hose reels designed for heavy-duty jobs that require high-frequency use, extra strength and durability

- Dual Pedestal Frame
- Metal Spool
- Rugged, Indoor and Outdoor Use
- Narrow Footprint
- Sealed Springs
- In-Field Spring Adjustment
- Non-Sparking Ratchet
- Sealed Roller Bearings

Markets

- Heavy-Duty Truck Dealers
- Fleet Maintenance
- Mining Maintenance
- Public Works Garages
- Construction Vehicle Maintenance
- Heavy-Duty Mobile Service Trucks

Frequency of use

Frame Strength

BUILT GRACO TOUGH

Simple to Install—Mounts in Minutes!

LD Enclosed

Hose Reels

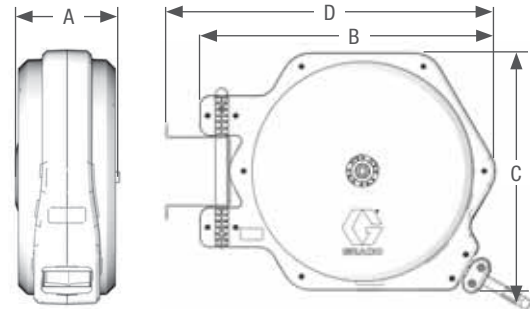


Features

- Designed for light-duty applications
- Enclosed for safety and protection, extends hose life
- Flexible mounting options—hang on wall or ceiling; bench, table or tank top-mount options available
- Full-flow swivel maximizes fluid flow with minimal pressure drop
- Easy spring tension adjustment—increase or decrease pressure spring tension while reel is pressurized

Dimensions

| LD SERIES | |
|-----------|------------------|
| A | 7.1 in (180 mm) |
| B | 23.0 in (585 mm) |
| C | 18.5 in (470 mm) |
| D | 25.6 in (650 mm) |



Enclosed hose reel comes with ceiling/wall mounting swivel bracket. Required inlet hose kit sold separately.

Ordering Information

Technical Specifications

| APPLICATION | MODEL NUMBERS | PRESSURE Psi (bar) | HOSE ID x Length | CONNECTION SIZE Inlet bspt(m) x Outlet bspt(m) | OPERATING TEMP. | WETTED PARTS | WEIGHT |
|--|---------------|-----------------------|-------------------------------|---|--------------------------|---|----------------------|
| Air Only | HEL13D | 250 (17.2) | 6 mm x 11 m / 1/4 in x 35 ft | 1/2 in x 1/4 in | 14–140 °F (-10–60 °C) | Aluminum, Buna-N, Rubber, PVC | 9 kg (19.8 lb) |
| | HEL15D | 250 (17.2) | 6 mm x 15 m / 1/4 in x 50 ft | | | | 9.5 kg (21 lb) |
| Air/Water | HEL23D | 250 (17.2) | 10 mm x 11 m / 3/8 in x 35 ft | 1/2 in x 3/8 in | 0–140 °F (-17–60 °C) | Aluminum, Buna-N, Rubber | 10.4 kg (23 lb) |
| | HEL25D | 250 (17.2) | 10 mm x 15 m / 3/8 in x 50 ft | 1/2 in x 3/8 in | | | 11 kg (24.25 lb) |
| | HEL33D | 250 (17.2) | 12 mm x 11 m / 1/2 in x 35 ft | 1/2 in x 1/2 in | | | 10.5 kg (23.1 lb) |
| | HEL34D | 250 (17.2) | 12 mm x 14 m / 1/2 in x 45 ft | 1/2 in x 1/2 in | | | 11 kg (24.25 lb) |
| Petroleum– and Synthetic–based Oils | HEM23D | 1800 (124) | 10 mm x 11 m / 3/8 in x 35 ft | 1/2 in x 3/8 in | | Carbon Steel, Buna-N, Rubber, UHMWPE | 11.4 kg (25.1 lb) |
| | HEM33D | 1800 (124) | 12 mm x 11 m / 1/2 in x 35 ft | 1/2 in x 1/2 in | | | 14 kg (38.8 lb) |
| Grease | HEH13D | 5000 (345) | 6 mm x 11 m / 1/4 in x 35 ft | 3/8 in x 1/4 in | | | 13.2 kg (29.1 lb) |

Instruction Manual = 313938

LD Enclosed Hose Reel Packages

| PACKAGE NUMBER | LD ENCLOSED REEL | HOSE INLET KIT | VALVE/METER |
|----------------|------------------|----------------|---|
| 24D197 | HEM33D | 24C538 | 256215, LDM5 Rigid with trigger guard |
| 24D198 | HEM33D | 24C538 | 255751, LDM5 Flex without trigger guard |
| 24D199 | HEM33D | 24C538 | 256216, LDP5 Rigid with trigger guard |
| 24D200 | HEM33D | 24C538 | 255277, LDP5 Flex without trigger guard |

Professional Performance at an Entry-Level Price

SD Composite Spool

Hose Reels



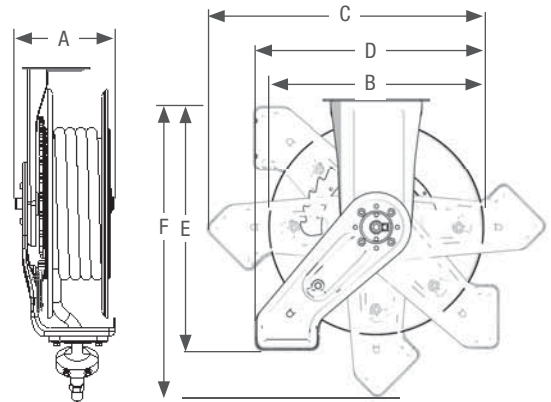
Single pedestal with composite spool. Inlet Hose Kit sold separately.

Features

- Designed for standard-duty applications such as small service garages and repair shops
- Structurally reinforced frame doesn't flex when handling hose
- Guide arm position easily changes for mounting on bench, ceiling or wall
- Enamel finish protects the reel from the environment
- Lightweight composite spool made from high strength resins resists dents and corrosion
- Compact design easily fits inside tool bench or cabinet
- Enclosure kits available—ideal when appearance and protection is important
- Available in six colors. Metallic blue is standard.

Dimensions

| LD SERIES | |
|-----------|------------------|
| A | 7.0 in (177 mm) |
| B | 18.1 in (460 mm) |
| C | 23.4 in (594 mm) |
| D | 19.2 in (488 mm) |
| E | 21.8 in (554 mm) |
| F | 25.2 in (640 mm) |



Ordering Information

Technical Specifications

| APPLICATION | MODEL NUMBERS BY COLOR | | | | | | PRESSURE | HOSE | | CONNECTION SIZE | | |
|--|------------------------|--------|--------|--------|-----------|--------|------------|-------------|---------|-----------------|---------------|------------|
| | Metallic Blue | White | Red | Black | Dark Blue | Yellow | | Psi (bar) | ID in | Length ft (m) | Inlet npsm(m) | Outlet |
| Air, Water, Anti-freeze, Windshield Washer Fluid | SIZE 20 | HRL56B | HRL56A | HRL56C | HRL56D | HRL56E | 300 (20.7) | 3/8 | 65 (20) | 1/2 | 3/8 npt(m) | |
| | | HRL65B | HRL65A | HRL65C | HRL65D | HRL65E | | HRL65F | 1/2 | | 50 (15) | 1/2 npt(m) |
| Petroleum- and Synthetic-based Oils | | HRM65B | HRM65A | HRM65C | HRM65D | HRM65E | HRM65F | 2,000 (138) | 1/2 | 50 (15) | 1/2 | 1/2 npt(m) |
| Grease | | HRH55B | HRH55A | HRH55C | HRH55D | HRH55E | HRH55F | 4,000 (276) | 3/8 | 50 (15) | 3/8 | 1/4 npt(m) |

Maximum dry weight with hose: 44 lbs (20 kg)

Operating Temp: Air, Water, Anti-Freeze, Windshield Washer Fluid and Oil = -20–190 °F (-28–87 °C), Grease = -40–200 °F (-40–93 °C)

Wetted parts—bare hose reel only: zinc plated steel, anodized aluminum, nitrile rubber.

Instruction Manual = 313431

SD Hose Reel Packages with Enclosure Kit

| SD PACKAGES | HOSE REEL | HOSE INLET KIT | WHITE ENCLOSURE | DISPENSE VALVE |
|-------------|-----------|----------------|-----------------|----------------|
| 24B812 | HRL56B | 218549 | 24A218 | — |
| 24B813 | HRL56B | 218549 | 24A218 | 218545 |
| 24B814 | HRL56B | 218549 | 24A218 | 180685/150287 |
| 24B815 | HRM65B | 218549 | 24A218 | — |
| 24B816 | HRH55B | 218550 | 24A218 | — |

Everyday Workhorse—Metal Spool for Extra Durability

Hose Reels

SD Steel Spool



Single pedestal with metal spool. Inlet Hose Kit sold separately.

Features

- Designed for daily use applications such as dealerships, fleet service and maintenance facilities
- Structurally engineered frame made from high strength steel won't bend or flex
- Long-lasting spring provides constant spring torque through the entire range of motion
- Flexible positioning of guide arm for mounting on bench or ceiling, wall or utility truck
- Steel spool for demanding applications
- Open swivel ports ensure high fluid flow with minimal pressure loss
- Enclosure kits available—ideal when appearance and protection is important
- Available in six colors. Metallic blue is standard.

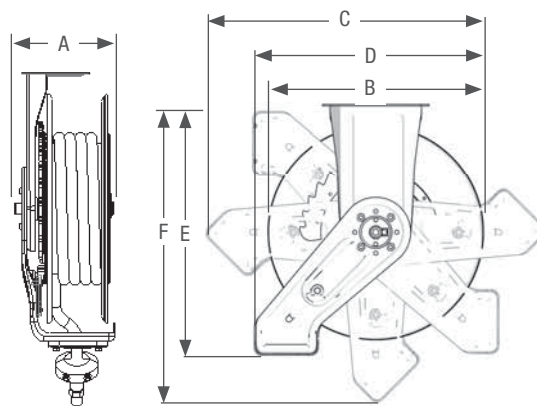
Dimensions

SD SERIES SIZE 10

| | |
|---|------------------|
| A | 7.0 in (177 mm) |
| B | 16.2 in (412 mm) |
| C | 21.0 in (533 mm) |
| D | 17.1 in (435 mm) |
| E | 19.5 in (495 mm) |
| F | 22.5 in (571 mm) |

SD SERIES SIZE 20

| | |
|---|------------------|
| A | 7.0 in (177 mm) |
| B | 18.1 in (460 mm) |
| C | 23.4 in (594 mm) |
| D | 19.2 in (488 mm) |
| E | 21.8 in (554 mm) |
| F | 25.2 in (640 mm) |



SD Series

Ordering Information

Technical Specifications

| APPLICATION | MODEL NUMBERS BY COLOR | | | | | | PRESSURE | HOSE | | CONNECTION SIZE | | | |
|--|------------------------|---------|---------|---------|-----------|---------|-------------|--------|---------------|-----------------|-------------|-------------|------------|
| | Metallic Blue | White | Red | Black | Dark Blue | Yellow | Psi (bar) | ID in | Length ft (m) | Inlet in | Outlet in | | |
| Air, Water, Anti-freeze, Windshield Washer Fluid | SIZE 10 | HPL23B | HPL23A | HPL23C | HPL23D | HPL23E | 300 (20.7) | 3/8 | 35 (11) | 1/2 npsm(m) | 3/8 npt(m) | | |
| | | HPL25B | HPL25A | HPL25C | HPL25D | HPL25E | | | HPL25F | | | 50 (15) | |
| | | HPL33B | HPL33A | HPL33C | HPL33D | HPL33E | | HPL33F | 1/2 | | | 35 (11) | |
| | SIZE 20 | HPL56B | HPL56A | HPL56C | HPL56D | HPL56E | | HPL56F | 3/8 | | | 65 (20) | |
| | | HPL65B | HPL65A | HPL65C | HPL65D | HPL65E | | HPL65F | 1/2 | | | 50 (15) | |
| Petroleum- and Synthetic-based Oils | SIZE 10 | HPM33B | HPM33A | HPM33C | HPM33D | HPM33E | 2,000 (138) | 1/2 | 35 (11) | 1/2 npsm(m) | 1/2 npt(m) | | |
| | | HPM33B* | HPM33A* | HPM33C* | HPM33D* | HPM33E* | | | | | HPM33F* | 1/2 npsm(f) | |
| | SIZE 20 | HPM65B | HPM65A | HPM65C | HPM65D | HPM65E | | | HPM65F | | 50 (15) | 1/2 npt(m) | |
| | | HPM65B* | HPM65A* | HPM65C* | HPM65D* | HPM65E* | | | HPM65F* | | | 1/2 npsm(f) | |
| Grease | SIZE 10 | HPH15B | HPH15A | HPH15C | HPH15D | HPH15E | 5,000 (345) | 3/8 | 50 (15) | 3/8 npsm(m) | 1/4 npt(m) | | |
| | | HPH23B | HPH23A | HPH23C | HPH23D | HPH23E | 4,000 (276) | | | | 35 (11) | 3/8 npt(f) | |
| | | HPH1DB* | HPH1DA* | HPH1DC* | HPH1DD* | HPH1DE* | HPH1DF* | | | | | 5,000 (345) | |
| | SIZE 20 | HPH55B | HPH55A | HPH55C | HPH55D | HPH55E | HPH55F | | | | 4,000 (276) | 50 (15) | 1/4 npt(m) |
| | | HPH55B* | HPH55A* | HPH55C* | HPH55D* | HPH55E* | HPH55F* | | | | 5,000 (345) | | 3/8 npt(f) |

* Bare Reel—hose sold separately

Maximum dry weight with hose: SD10 = 47 lbs (21 kg), SD20 = 52 lbs (23.6 kg)

Wetted parts—bare hose reel only: zinc plated steel, steel, nitrile rubber

Operating temperature for air, water, windshield washer fluid and oil = -20–190 °F (-28–87 °C) Operating temperature for grease = -40–200 °F (-40–93 °C)

Instruction Manual = 313431

SD Hose Reel Packages with Enclosure Kit

| SD Packages | Hose Reel | Hose Inlet Kit | White Enclosure | Dispense Valve/Meter | Fitting |
|-------------|-----------|----------------|-----------------|----------------------|---------|
| 24D989 | HPL23B | 218549 | 24A217 | – | – |
| 24D990 | HPL25B | 218549 | 24A217 | – | – |
| 24D991 | HPL33B | 218549 | 24A217 | – | – |
| 24D992 | HPL23B | 218549 | 24A217 | 218545 | – |
| 24D993 | HPL23B | 218549 | 24A217 | 180685 | 150287 |
| 24D994 | HPL33B | 218549 | 24A217 | 180685 | 159842 |
| 24D995 | HPM33B | 218549 | 24A217 | – | – |
| 24D996 | HPM33B | 218549 | 24A217 | 255350 | – |
| 24D997 | HPM33B | 218549 | 24A217 | 255348 | – |

SD Hose Reel Packages

| SD Packages | Hose Reel | Hose Inlet Kit | Enclosure | Dispense Valve/Meter | Fitting |
|-------------|-----------|----------------|-----------|----------------------|---------|
| 24D998 | HPL23B | 218549 | – | 218545 | – |
| 24D999 | HPL23B | 218549 | – | 180685 | 150287 |
| 24E001 | HPM33B | 218549 | – | 255350 | – |
| 24E002 | HPM33B | 218549 | – | 255348 | – |

Extreme Performer in Three Sizes

XD Series

Hose Reels

Size 10



XD Series Features

- Designed for robust/heavy-duty applications such as mobile lube trucks or large equipment service, yet with a narrow footprint to fit more reels into small spaces
- Dual pedestal frame provides increased strength for extreme-duty applications
- Long lasting spring is sealed for protection against the weather
- Durable steel spool rides on sealed roller bearings to ensure trouble-free performance
- Available in four colors. Metallic blue is standard.
- Available with arms removed for bulkhead mounting*

* Contact your local distributor for more information

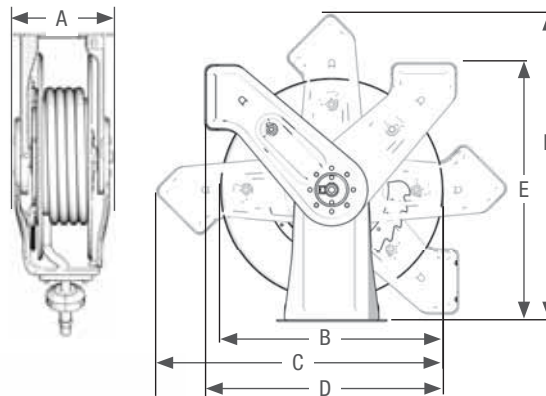
Size 20



Dimensions

| XD SERIES SIZE 10 | |
|-------------------|------------------|
| A | 7.5 in (196 mm) |
| B | 16.2 in (412 mm) |
| C | 21.0 in (533 mm) |
| D | 18.0 in (457 mm) |
| E | 18.5 in (470 mm) |
| F | 22.5 (571 mm) |

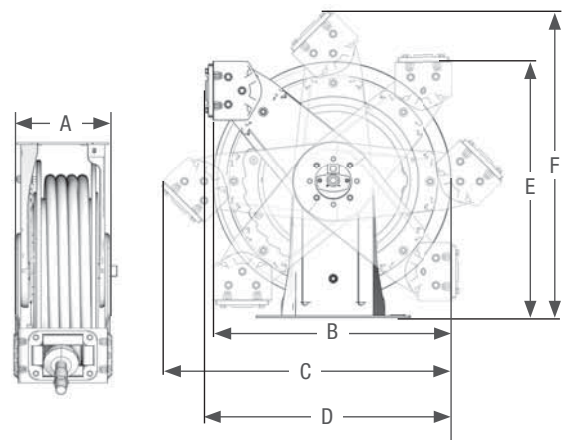
| XD SERIES SIZE 20 | |
|-------------------|------------------|
| A | 7.5 in (196 mm) |
| B | 18.1 in (460 mm) |
| C | 23.4 in (594 mm) |
| D | 20.0 in (508 mm) |
| E | 21.0 in (533 mm) |
| F | 25.2 in (640 mm) |



Size 30



| XD SERIES SIZE 30 | |
|-------------------|----------------------|
| A | 9.0 in (229 mm) |
| B | 21.50 in (546.00 mm) |
| C | 25.96 in (659.45 mm) |
| D | 22.12 in (561.73 mm) |
| E | 23.10 in (588.00 mm) |
| F | 27.60 in (700.82 mm) |



XD Series

Ordering Information

Technical Specifications

| APPLICATION | SIZE | PART NUMBERS BY COLOR | | | | PRESSURE | HOSE | | CONNECTION SIZE | | OPERATING TEMP. | | |
|--|-----------|-----------------------|---------|-------------|-------------|-------------|-------------|---------------|-----------------|-------------|----------------------------|---------------------------|------------|
| | | Metallic Blue | White | Yellow | Desert Sand | Psi (bar) | ID in | Length ft (m) | Inlet in | Outlet in | | | |
| Air, Water, Anti-freeze, Windshield Washer Fluid | SIZE 10 | HSL25B | HSL25A | HSL25F | HSL25G | 300 (20.7) | 3/8 | 50 (15) | 1/2 npsm(m) | 3/8 npt(m) | -20–190 °F (-28–87 °C) | | |
| | | HSL33B | HSL33A | HSL33F | HSL33G | 300 (20.7) | 1/2 | 35 (11) | | 1/2 npt(m) | | | |
| | SIZE 20 | HSL56B | HSL56A | HSL56F | HSL56G | 300 (20.7) | 3/8 | 65 (20) | | 3/8 npt(m) | | | |
| | | HSL65B | HSL65A | HSL65F | HSL65G | 300 (20.7) | 1/2 | 50 (15) | | 1/2 npt(m) | | | |
| | SIZE 30 | HSLC8B | HSLC8A | HSLC8F | HSLC8G | 300 (20.7) | | 3/4 | | 75 (23) | | 3/4 npsm(m) | 3/4 npt(m) |
| | | HSLD5B | HSLD5A | HSLD5F | HSLD5G | 300 (20.7) | 50 (15) | | | 3/4 npt(m) | | | |
| Petroleum– and Synthetic–based Oils | SIZE 10 | HSM33B | HSM33A | HSM33F | HSM33G | 2,000 (138) | 1/2 | 35 (11) | 1/2 npsm(m) | 1/2 npt(m) | -20–190 °F (-28–87 °C) | | |
| | | HSM3BB* | HSM3BA* | HSM3BF* | HSM3BG | 2,000 (138) | 1/2 | 35 (11) | | 1/2 npt(f) | | | |
| | SIZE 20 | HSM65B | HSM65A | HSM65F | HSM65G | 2,000 (138) | 1/2 | 50 (15) | | 1/2 npt(m) | | | |
| | | HSM6DB* | HSM6DA* | HSM6DF* | HSM6DG | 2,000 (138) | 1/2 | 50 (15) | | 1/2 npt(f) | | | |
| | SIZE 30** | HSMC8B | HSMC8A | HSMC8F | HSMC8G | 1,500 (103) | 1/2 | 75 (23) | | 1/2 npt(m) | -40–180 °F (-40–82 °C) | | |
| | | HSMCFB* | HSMCFA* | HSMCFF* | HSMCFG* | 2,000 (138) | 1/2 | 75 (23) | | 1/2 npsm(f) | | | |
| | | HSM5B | HSM5A | HSM5F | HSM5G | 1,250 (86) | 3/4 | 50 (15) | | 3/4 npt(m) | | | |
| HSM5DB* | HSM5DA* | HSM5DF* | HSM5DG* | 2,000 (138) | 3/4 | 3/4 npsm(f) | | | | | | | |
| Grease | SIZE 10 | HSH15B | HSH15A | HSH15F | HSH15G | 5,000 (345) | 1/4 | 50 (15) | 3/8 npsm(m) | 1/4 npt(m) | -40–200 °F (-40–93 °C) | | |
| | | HSH1DB* | HSH1DA* | HSH1DF* | HSH1DG* | 5,000 (345) | 3/8 | 35 (11) | | 3/8 npt(f) | | | |
| | SIZE 20 | HSH55B | HSH55A | HSH55F | HSH55G | 4,000 (276) | | | | 1/2 | | 50 (15) | 1/4 npt(m) |
| | | HSH5DB* | HSH5DA* | HSH5DF* | HSH5DG* | 5,000 (345) | 3/8 npsm(f) | | | | | | |
| | SIZE 30** | HSHC5B | HSHC5A | HSHC5F | HSHC5G | 5,000 (345) | 1/2 | 50 (15) | | 1/2 npsm(m) | 1/2 npt(m) | -40–180 °F (-40–82 °C) | |
| | | HSHCDB* | HSHCDA* | HSHCDF* | HSHCDG* | 5,000 (345) | | | | 1/2 npsm(f) | | | |
| Pressure Wash | SIZE 30 | HSPB8B | HSPB8A | HSPB8F | HSPB8G | 4,000 (276) | 3/8 | 75 (23) | 1/2 npsm(m) | 3/8 npt(m) | -20–225 °F (-28–107 °C) | | |
| | | HSHFFB* | HSHFFA* | HSHFFF* | HSHFFG* | 4,000 (276) | | | | 3/8 npsm(f) | | | |
| Fuel/Evacuation | SIZE 30 | HSLE3B | HSLE3A | HSLE3F | HSLE3G | 125 (8.6) | 1 | 30 (9) | 3/4 npsm(m) | 1 npt(m) | -40–120 °F (-40–49 °C) | | |

Maximum dry weight with hose: XD10 = 54 lbs (24.5 kg), XD20 = 59 lbs (27 kg), XD30 = 98 lbs (44.5 kg)

Wetted parts–Bare hose reel only: zinc plated steel, anodized aluminum, nitrile rubber

Instruction Manuals: XD10 and XD20: 313431, XD30: 3A0138

* Bare reel–hose sold separately

** Maximum installed height is 7 feet (2.13 meters).

SD and XD Hose Reel Accessories



Reel Enclosures

- Designed for enclosing SD single pedestal reels
- Enclosures provide protection to extend the life of hoses and bearings

| ENCLOSURE KITS FOR ONE REEL | PART NUMBERS BY COLOR | | | | | |
|-----------------------------|-----------------------|---------------|--------|--------|-----------|--------|
| | White* | Metallic Blue | Red | Black | Dark Blue | Yellow |
| Size 10 Enclosure | 24A217 | 24A940 | 24A941 | 24A942 | 24A943 | 24A944 |
| Size 20 Enclosure | 24A218 | 24A945 | 24A946 | 24A947 | 24A948 | 24A949 |
| Size 10 End Caps (2) | — | — | — | 24A950 | — | — |
| Size 20 End Caps (2) | — | — | — | 24A951 | — | — |

*White enclosures available for immediate shipment. Consult factory for lead-time for other colors.

Mounting Channels

Enclosure mounting channels accommodate one, two, three, four, five or six reels (includes all parts needed to mount hose reels to walls or ceilings)

| DESCRIPTION | MOUNTING CHANNEL | | | | | |
|----------------|------------------|---------|---------|---------|---------|---------|
| | 1 Reel | 2 Reels | 3 Reels | 4 Reels | 5 Reels | 6 Reels |
| SD10/SD20 Open | 24A934 | 24A935 | 24A936 | 24A937 | 24A938 | 24A939 |
| XD10/XD20 Open | 24A219 | 24A220 | 24A221 | — | — | 24A222 |
| SD Enclosed | 203521 | 203522 | 203523 | 203524 | 203525 | 203526 |

Retrofit Adapter Kits

| | |
|--------|---|
| 24A224 | Includes all parts to mount hose reel to existing 500 series mounting pattern |
| 24C100 | Includes all parts to convert SD10 hose reels to fit existing 250 series enclosures |

Mounting Bracket

| | |
|--------|---|
| 204741 | Secures mounting channel to I-beam without drilling. Two brackets are required for 1-3 hose reels; three brackets for 4-6 hose reels. |
|--------|---|

Ball Stop Kits

| PART NUMBER | TYPICAL HOSE ID |
|-------------|--|
| 222225* | For 1/4 in (6.4 mm) i.d. hose |
| 218340* | For 1/4-3/8 in (6.4-9.5 mm) i.d. hose |
| 218341* | For 3/8-1/2 in (9.5-12.7 mm) i.d. hose |
| 237873 | For 3/4 in (19 mm) i.d. hose |
| 237874 | For 1 in (25 mm) i.d. hose |
| 24D132 | For 3/8 in (9.5 mm) o.d. hose |
| 24D133 | For 1/2 in (12.7 mm) o.d. hose |

*Not for use with XD30 reels

Hose Inlet Kits

| FOR SD AND XD REELS | | | | | |
|---------------------|----------------------|--------------------|-------------------|----------------|------------|
| PART NUMBER | DESCRIPTION | PRESSURE psi (bar) | HOSE I.D. in (mm) | LENGTH in (mm) | HOSE INLET |
| 218549 | Low /medium pressure | 2000 (137) | 1/2 (12) | 24 (610) | npt(m) |
| 218550 | High pressure | 4000 (276) | 3/8 (10) | 24 (610) | npt(m) |
| 222417 | High pressure | 5000 (345) | 1/4 (6) | 24 (610) | npt(m) |

Retrofit Bracket to 500 Series

Mounting Bracket

Ball Stop Kit

Hose Inlet Kit for SD and XD open reels

LD Enclosed Hose Reel Accessories

Mounting Brackets

Includes all parts to mount reel on wall or ceiling; bench, table or tank top-mount

| PART NUMBER | MOUNTING OPTIONS |
|-------------|--------------------------------|
| 24C772 | Tote, Bench or Wall Mount Post |
| 24E506 | Fixed Installation Kit |



Tote, Bench or Wall
Mount Post
24C772

Ceiling/Wall Stationary
Bracket 24E506



Ceiling/Wall Swivel Mount
(standard)

Ceiling/Wall Stationary Mount
(optional)

Tote, Bench or Wall Mount Post
(optional)



Hose Inlet Kit for
LD enclosed reels

Hose Inlet Kits for LD Enclosed Hose Reel

| | PART NUMBER | HOSE INLET DESCRIPTION | FITS REEL | PRESSURE PSI (BAR) | HOSE ID in (mm) | LENGTH in (mm) | HOSE INLET in | HOSE OUTLET in |
|---------------------|-------------|------------------------|-------------|--------------------|-----------------|----------------|---------------|----------------|
| FOR BSP CONNECTIONS | 24C437 | Air | HEL13D | 250 (17.2) | 1/4 (6) | 36 in (915) | 1/4 bspt(m) | 1/4 bspt(m) |
| | | | HEL15D | 250 (17.2) | 1/4 (6) | | 1/2 bspt(m) | 3/8 bspt(m) |
| | 24C438 | Air/ water | HEL23D | 250 (17.2) | 1/2 (12) | | 1/2 bspt(m) | 3/8 bspt(m) |
| | | | HEL25D | 250 (17.2) | 1/2 (12) | | 1/2 bspt(m) | 1/2 bspt(m) |
| | | | HEL33D | 250 (17.2) | 1/2 (12) | | 1/2 bspt(m) | 1/2 bspt(m) |
| | | | HEL34D | 250 (17.2) | 1/2 (12) | | 1/2 bspt(m) | 1/2 bspt(m) |
| | 24C440 | Oil | HEM23D | 1,800 (124) | 1/2 (12) | | 1/2 bspt(m) | 3/8 bspt(m) |
| HEM33D | | | 1,800 (124) | 1/2 (12) | 1/2 bspt(m) | | 1/2 bspt(m) | |
| 24C442 | Grease | HEH13D | 5,000 (345) | 1/4 (6) | 1/4 bspt(m) | | 1/4 bspt (m) | |
| FOR NPT CONNECTIONS | 24C443 | Air | HEL13D | 250 (17.2) | 1/4 (6) | | 1/4 npt(m)* | 1/4 npt(m)* |
| | | | HEL15D | 250 (17.2) | 1/4 (6) | | 1/4 npt(m)* | 1/4 npt(m)* |
| | 24C444 | Air/water | HEL23D | 250 (17.2) | 1/2 (12) | | 1/2 npt(m)* | 3/8 npt(m)* |
| | | | HEL25D | 250 (17.2) | 1/2 (12) | | 1/2 npt(m)* | 3/8 npt(m)* |
| | | | HEL33D | 250 (17.2) | 1/2 (12) | | 1/2 bspt(m) | 1/2 bspt(m) |
| | | | HEL34D | 250 (17.2) | 1/2 (12) | 1/2 bspt(m) | 1/2 bspt(m) | |
| | 24C537 | Oil | HEM23D | 1,800 (124) | 1/2 (12) | 1/2 npt(m)* | 1/2 npt(m)* | |
| | | | HEM33D | 1,800 (124) | 1/2 (12) | 1/2 npt(m)* | 1/2 npt(m)* | |
| | 24C539 | Grease | HEH13D | 5,000 (345) | 1/4 (6) | 1/4 npt(m)* | 1/4 npt(m)* | |

* NPT hose connection when using BSP to NPT adapter (included)



ABOUT GRACO

PROVEN QUALITY. LEADING TECHNOLOGY.

Founded in 1926, Graco is a world leader in fluid handling systems and components. Graco products move, measure, control, dispense and apply a wide range of fluids and viscous materials used in vehicle lubrication, commercial and industrial settings.

The company's success is based on its unwavering commitment to technical excellence, world-class manufacturing and unparalleled customer service. Working closely with qualified distributors, Graco offers systems, products and technology that set the quality standard in a wide range of fluid handling solutions. Graco provides equipment for spray finishing, protective coating, paint circulation, lubrication, and dispensing sealants and adhesives, along with power application equipment for the contractor industry. Graco's ongoing investment in fluid management and control will continue to provide innovative solutions to a diverse global market.

GRACO LOCATIONS

MAILING ADDRESS

P.O. Box 1441
Minneapolis, MN 55440-1441
Tel: 612-623-6000
Fax: 612-623-6777

AMERICAS

MINNESOTA

Worldwide Headquarters
Graco Inc.
88-11th Avenue N.E.
Minneapolis, MN 55413

EUROPE

BELGIUM

European Headquarters
Graco N.V.
Industrieterrein-Oude Bunders
Slakweidestraat 31
3630 Maasmechelen,
Belgium
Tel: 32 89 770 700
Fax: 32 89 770 777

ASIA PACIFIC

AUSTRALIA

Graco Australia Pty Ltd.
Suite 17, 2 Enterprise Drive
Bundoora, Victoria 3083
Australia
Tel: 61 3 9467 8558
Fax: 61 3 9467 8559

CHINA

Graco Hong Kong Ltd.
Shanghai Representative Office
Room 118 1st Floor
No.2 Xin Yuan Building
No.509 Cao Bao Road
Shanghai, 200233
The People's Republic of China
Tel: 86 21 649 50088
Fax: 86 21 649 50077

INDIA

Graco Hong Kong Ltd.
India Liaison Office
Room 432, Augusta Point
Regus Business Centre 53
Gurgaon, Haryana
India 122001
Tel: 91 124 435 4208
Fax: 91 124 435 4001

JAPAN

Graco K.K.
1-27-12 Hayabuchi
Tsuzuki-ku
Yokohama City, Japan 2240025
Tel: 81 45 593 7300
Fax: 81 45 593 7301

KOREA

Graco Korea Inc.
Shinhan Bank Building
4th Floor #1599
Gwanyang-Dong, Dongan-Ku,
Anyang-si, Korea 431-060
Tel: 82 31 476 9400
Fax: 82 31 476 9801

SALES/ DISTRIBUTION/ SERVICE

Call today for product information or to request a demonstration.

877-84GRACO (1-877-844-7226) or visit us at www.graco.com.

Graco Inc. is registered to I.S. EN ISO 9001

North America
Customer Service
800-533-9655
Fax 800-533-9656