



**OMNTEC**  
Advanced Tank Monitoring & Leak Detection

# PROTEUS<sup>®</sup>

## Automatic Tank Gauging and Leak Detection System

Part Number: **OEL8000III-B4**  
**OEL8000III-B8**



### Description

A brighter future in tank gauging and leak detection has arrived with the **PROTEUS** Series. Featuring advanced technology, versatility, scalability, and enhanced features like our 7-inch color touch screen. The **PROTEUS** Series can simultaneously monitor product levels, water levels, temperature, leaks, and much more. The flexibility of **PROTEUS** makes it ideal for a variety of gauging and leak detection applications.

The OEL8000III-B is our economical version of the **PROTEUS** Series. It offers limited features for a low cost solution to gauging, leak detection, and meeting compliance requirements.

The OEL8000III-B accepts up to 16 of OMNTEC's Bright Eye (BX Series) sensors for distinguishing product from water or for simply detecting the presence of liquid. A distinct advantage of Bright Eye sensors is they are networked and utilize 4 wire bus technology.

**PROTEUS** does not require sensor or probe input modules, bringing ease to ordering and installation. A built in microprocessor gives each sensor the ability to identify itself and its location, which is displayed along with alarm conditions on the **PROTEUS's** 7-inch color touch screen graphic display.

With OMNTEC's proven reliability, the **PROTEUS** offers an attractive, comprehensive, and user-friendly system that can open doors to endless possibilities.

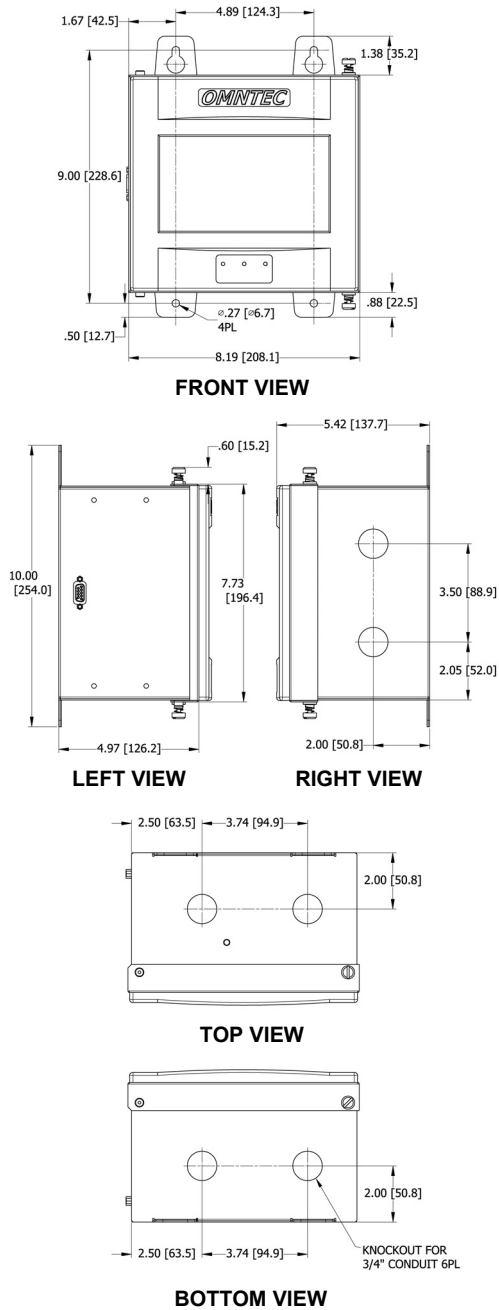
### Features

- Accepts up to 4 or 8 magnetostrictive probes
- Accepts up to 16 Bright Eye sensors
- Sensors networked using state of the art 4 wire bus technology
- 1 RS-232 port
- 7-inch color graphic display with touch screen
- CITLD upgradeable
- External Modbus device available
- External expansion port
- Compact size
- Remote display option
- VLD standard
- Lower cost

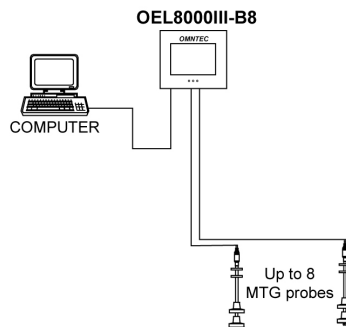
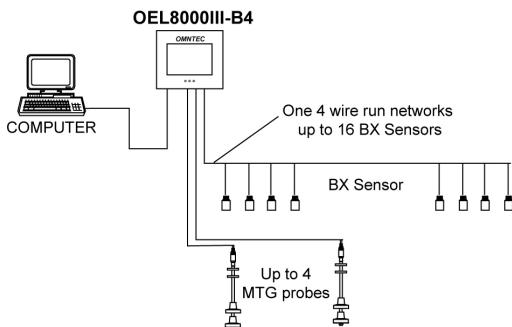
# PROTEUS®



## Automatic Tank Gauging and Leak Detection System

### Part No. OEL8000III-B4 & OEL8000III-B8



### OEL8000III-B Application



Specifications						
<b>Optional Features:</b>	Modbus CITLD upgradeable OMNTEC PC software					
<b>Input Power:</b>	100-240 VAC +/- 10% 50/60 Hz 60 watts					
<b>Voltage to Sensors:</b>	12 VDC					
<b>Voltage to Probes:</b>	28 VDC					
<b>Audio Visual Controls:</b>	Color 7-inch graphic display with touch screen 85 dB piezoelectric horn 3 LED's (OK, fault, alarm)					
<b>Operating Temperature:</b>	20 to 140° F (-7° to 60° C)					
<b>Compatible Sensors:</b>	BX-Series sensors (refer to document no. 900106)					
<b>BX-Series Sensor Cable:</b>	Shielded 22 AWG with drain wire (OMNTEC EC-4), Maximum length 2,000 feet (610m)					
<b>Compatible Probes:</b>	<b>Rigid Gauging Probe</b> (refer to document no. 900194) MTG-4* (1219mm) MTG-6* (1829mm) MTG-8* (2438mm) MTG-10* (3048mm) <b>Flexible Fixed Top Probe</b> (refer to document no. 900166) MTG-F-* Series <b>Flexible Fixed Bottom Probe</b> (refer to document no. 900162) MTG-FB-* Series *Number signifies shaft length and corresponds to tank diameter. Contact representative for additional lengths.					
<b>MTG Probe Cable:</b>	OMNTEC EC-2 (Shielded Belden #8761) Low Inductance: equal or less than .2 microhenries per foot Maximum length 1,000 feet (305m) Consult representative for longer wire runs.					
<b>Accessories:</b>	RD7CTS Remote display DDL Series Delivery Defender Lite universal remote overfill alarm X232-420 External RS-232 to 4-20 ma converter C232-BAC Bacnet TCP/IP converter					
<b>Weight:</b>	20 lb. (9kg)					
<b>Dimensions:</b>	(h) 7.73" (w) 8.19" (d) 5.42"					
<b>Approvals:</b>	UL-listed & CUL-listed  IECEx UL 13.0057X [Ex ia Ga] IIB  DEMKO 13 ATEX 1341071X					
<b>Version Summary:</b>	Version	Probes	Sensors	Audio/ Visual	Relays	Comm
	B4	4	16	yes	0	(1) RS-232 (1) Expansion Port
	B8	8	0	yes	0	
	B4B	4	16	no	0	
	B8B	8	0	no	0	

Specifications subject to change without notice, verify with manufacturer.


**OMNTEC**  
 1993 Pond Road  
 Ronkonkoma, NY 11779  
 Phone: (631) 981-2001  
 Fax: (631) 981-2007  
 E-mail: omntec@omntec.com  
 Website: www.omntec.com  
 Document No. DS00018 DS00026 rev1944.doc  
 Rev Date: 11-4-2019