

ORDERING GUIDELINES

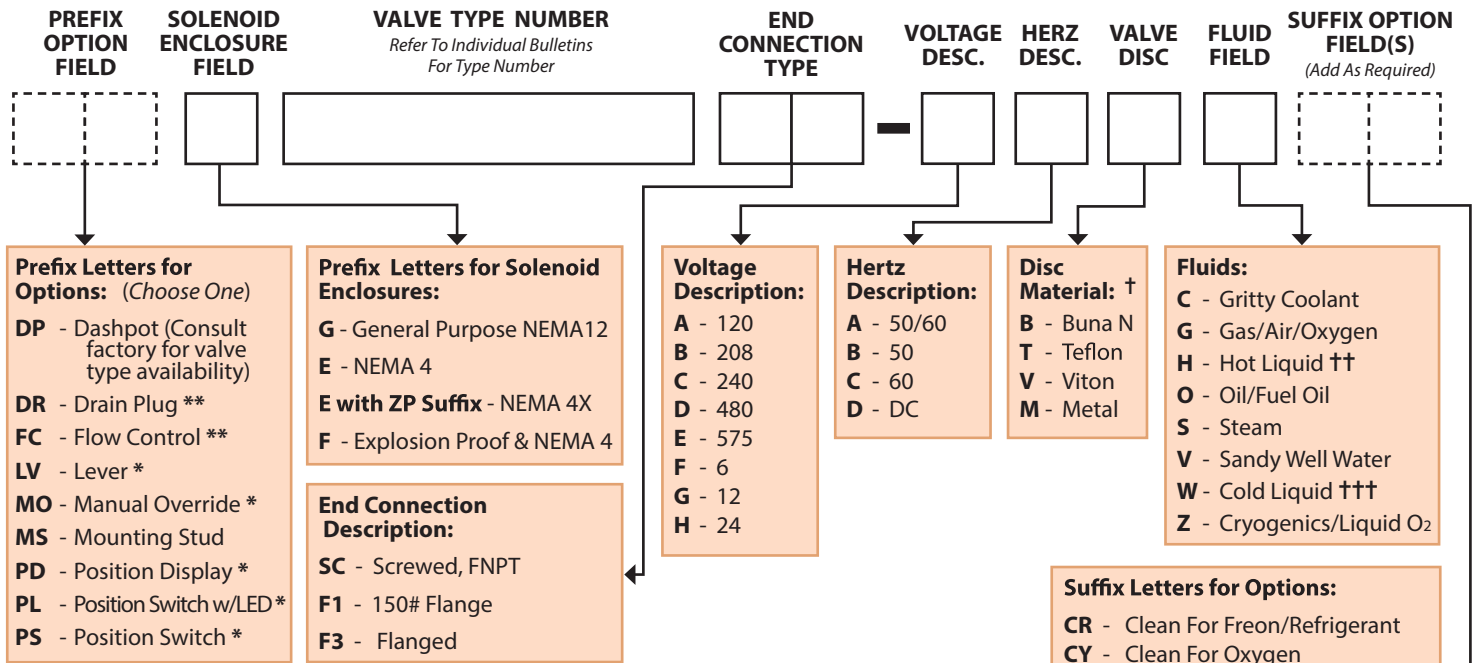
Magnatrol Solenoid Valves



If you have any questions or wish to request a quote:
Phone: 973-427-4341 • Fax: 973-427-7611
E-Mail: info@magnatrol.com

MAGNATROL VALVE TYPE NUMBER DETAIL

For Additional Information On Options See Optional Features Pages 26 & 27



† Refer to Individual Bulletins for Standard Orifice Seal/Disc Material.
 NOTE: (For N, NR, M, MR, J & JR this field is used to show a change to the Valve Body Seal Material)

†† Use fluid designation "H" for light liquids up to 400° F. and Brine applications.

††† Use fluid designation "W" for light liquids under 212° F. (i.e. Water, Jet Fuel, Kerosene, Gasoline, Naptha, Alcohol, Soluable Oil, Coolant, Freon and Refrigerant).

* Normally Closed Valves Only

** Normally Closed and NR & MR Valves/FC not available on G valve type

*** Pilot Tap: Can be used along with any other option.
 Available On Type D, G and GR only.

Consult Factory for Assistance with:

- Additional voltages
- End Connections not shown
- Fluid Field designations



Check individual bulletins for listed valves